

## DS-2CD1043G0-I(UF) 4 MP Fixed Bullet Network Camera



- High quality imaging with 4 MP resolution
- Efficient H.265+ compression technology
- Clear imaging even with strong back lighting due to 120 dB WDR
- Water and dust resistant (IP67)
- EXIR 2.0: advanced infrared technology with long IR range
- -UF: Built-in microphone for real-time audio security



## ▪ Specification

| Camera                      |  |
|-----------------------------|--|
| Image Sensor                | 1/3" progressive scan CMOS   |
| Min. Illumination           | Color: 0.01 Lux @ (F2.0, AGC ON), B/W: 0 Lux with IR   |
| Shutter Speed               | 1/3 s to 1/100,000 s   |
| Slow Shutter                | Yes  |
| Wide Dynamic Range          | 120 dB   |
| Day & Night                 | IR cut filter  |
| Angle Adjustment            | Pan: 0° to 360°, tilt: 0° to 180°, rotate: 0° to 360°  |
| Lens                        |  |
| Focal Length & FOV          | 2.8 mm, horizontal FOV 98.0°, vertical FOV 53.1°, diagonal FOV 114.7°<br>4 mm, horizontal FOV 78.7°, vertical FOV 43.1°, diagonal FOV 92.3°                  |
| Lens Mount                  | M12  |
| Focus                       | Fixed  |
| Aperture                    | F2.0   |
| Illuminator                 |  |
| IR Wavelength               | 850 nm   |
| IR Range                    | Up to 30 m   |
| Video                       |  |
| Max. Resolution             | 2560 × 1440  |
| Main Stream                 | 50 Hz: 20 fps (2560 × 1440)<br>25 fps (2304 × 1296, 1920 × 1080, 1280 × 720)<br>60 Hz: 20 fps (2560 × 1440)<br>30 fps (2304 × 1296, 1920 × 1080, 1280 × 720) |
| Sub-Stream                  | 50 Hz: 25 fps (640 × 480, 640 × 360)<br>60 Hz: 30 fps (640 × 480, 640 × 360)   |
| Video Compression           | Main stream: H.265/H.264<br>Sub-stream: H.265/H.264/MJPEG  |
| Video Bit Rate              | 32 Kbps to 8 Mbps  |
| H.264 Type                  | Baseline Profile/Main Profile/High Profile   |
| H.265 Type                  | Main Profile   |
| H.264+                      | Main stream supports   |
| H.265+                      | Main stream supports   |
| Region of Interest (ROI)    | 1 fixed region for main stream   |
| Audio                       |  |
| Audio Compression           | -UF: G.711ulaw/G.711alaw/G.722.1/G.726/MP2L2/PCM/AAC   |
| Audio Bit Rate              | -UF: 64 Kbps (G.711)/16 Kbps (G.722.1)/16 Kbps (G.726)/32 to 160 Kbps (MP2L2)/16 to 64 Kbps (AAC)  |
| Audio Sampling Rate         | -UF: 8 kHz/16 kHz  |
| Environment Noise Filtering | -UF: Yes   |
| Network                     |  |
| Protocols                   | TCP/IP, ICMP, HTTP, HTTPS, FTP, DHCP, DNS, DDNS, RTP, RTSP, RTCP, PPPoE, NTP, UPnP™, SMTP, SNMP, IGMP, 802.1X, QoS, IPv6, Bonjour, IPv4, UDP, SSL/TLS        |
| Simultaneous Live View      | Up to 6 channels   |

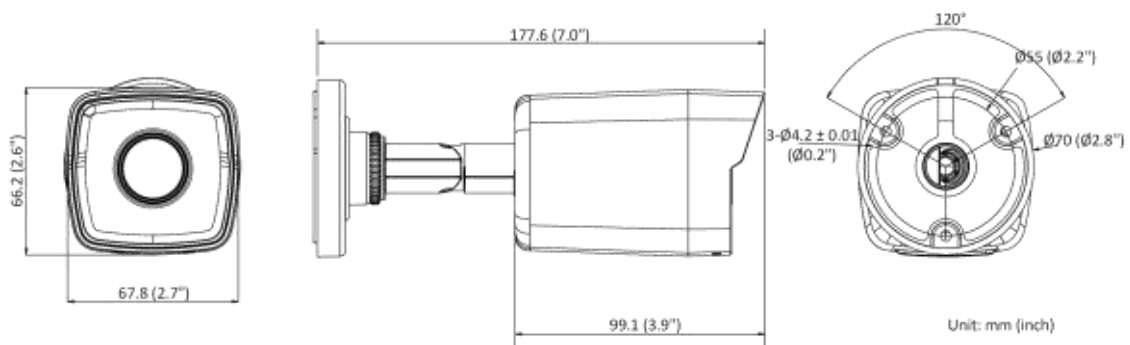
|                                  |   |
|----------------------------------|---|
| API                              | Open Network Video Interface, ISAPI   |
| User/Host                        | Up to 32 users. 3 levels: administrator, operator and user  |
| Network Storage                  | -UF: NAS (NFS, SMB/CIFS), ANR   |
| Client                           | iVMS-4200, Hik-Connect  |
| Web Browser                      | Plug-in required live view: IE 10+<br>Plug-in free live view: Chrome 57.0+, Firefox 52.0+<br>Local service: Chrome 57.0+, Firefox 52.0+   |
| <b>Image</b>                     |   |
| Image Settings                   | Saturation, brightness, contrast, sharpness, AGC, white balance adjustable by client software or web browser  |
| Day/Night Switch                 | Auto, Schedule, Day, Night  |
| Image Enhancement                | BLC, 3D DNR   |
| <b>Interface</b>                 |   |
| Ethernet Interface               | 1 RJ45 10 M/100 M self-adaptive Ethernet port   |
| On-Board Storage                 | -UF: Built-in memory card slot, support microSD card, up to 256 GB  |
| Built-in Microphone              | -UF: Yes  |
| Hardware Reset                   | -UF: Yes  |
| <b>Event</b>                     |   |
| Basic Event                      | Motion detection, video tampering, exception  |
| <b>General</b>                   |   |
| Linkage Method                   | Upload to FTP, notify surveillance center, send email<br>-UF also supports: upload to memory card, trigger recording, trigger capture   |
| Camera Material                  | Metal & Plastic   |
| Camera Dimension                 | 177.6 mm × 66.2 mm × 67.8 mm (7.0" × 2.6" × 2.7")   |
| Package Dimension                | 216 mm × 121 mm × 118 mm (8.5" × 4.8" × 4.6")   |
| Camera Weight                    | Approx. 270 g (0.6 lb.)   |
| With Package Weight              | Approx. 490 g (1.1 lb.)   |
| Storage Conditions               | -30 °C to 60 °C (-22 °F to 140 °F). Humidity 95% or less (non-condensing)   |
| Startup and Operating Conditions | -30 °C to 60 °C (-22 °F to 140 °F). Humidity 95% or less (non-condensing)   |
| Web Client Language              | English, Ukrainian  |
| General Function                 | Anti-flicker, heartbeat, mirror, password protection, privacy mask, watermark, IP address filter  |
| Firmware Version                 | V5.5.120  |
| Power Consumption and Current    | 12 VDC, 0.4 A, max. 5 W<br>PoE: (802.3af, 36 V to 57 V), 0.2 A to 0.15 A, max. 6.5 W  |
| Power Supply                     | 12 VDC ± 25%<br>PoE: 802.3af, Class 3   |
| Power Interface                  | Ø5.5 mm coaxial power plug  |
| <b>Approval</b>                  |   |
| EMC                              | FCC SDoC (47 CFR Part 15, Subpart B); CE-EMC (EN 55032: 2015, EN 61000-3-2: 2014, EN 61000-3-3: 2013, EN 50130-4: 2011 +A1: 2014); RCM (AS/NZS CISPR 32: 2015); IC VoC (ICES-003: Issue 6, 2016); KC (KN 32: 2015, KN 35: 2015) |

|             |   |
|-------------|---|
| Safety      | UL (UL 60950-1); CB (IEC 60950-1:2005 + Am 1:2009 + Am 2:2013, IEC 62368-1:2014); CE-LVD (EN 60950-1:2005 + Am 1:2009 + Am 2:2013, IEC 62368-1:2014); BIS (IS 13252(Part 1):2010+A1:2013+A2:2015) |
| Environment | CE-RoHS (2011/65/EU); WEEE (2012/19/EU); Reach (Regulation (EC) No 1907/2006)   |
| Protection  | IP67 (IEC 60529-2013)   |

▪ **Available Model**

- DS-2CD1043G0-I (2.8/4 mm)
- DS-2CD1043G0-IUF (2.8/4 mm)

▪ **Dimension**



▪ **Accessory**

▪ **Optional**

**DS-1280ZJ-XS**

**Junction Box**





Distributed by

**HIKVISION®****Headquarters**

No.555 Qianmo Road, Binjiang District,  
Hangzhou 310051, China  
T +86-571-8807-5998  
overseasbusiness@hikvision.com

**Hikvision USA**  
T +1-909-895-0400  
sales.usa@hikvision.com

**Hikvision Australia**  
T +61-2-8599-4233  
salesau@hikvision.com

**Hikvision India**  
T +91-22-28469900  
sales@pramahikvision.com

**Hikvision Canada**  
T +1-866-200-6690  
sales.canada@hikvision.com

**Hikvision Thailand**  
T +662-275-9949  
sales.thailand@hikvision.com

**Hikvision Europe**  
T +31-23-5542770  
sales.eu@hikvision.com

**Hikvision Italy**  
T +39-0438-6902  
info.it@hikvision.com

**Hikvision Brazil**  
T +55 11 3318-0050  
Latam.support@hikvision.com

**Hikvision Turkey**  
T +90 [216]521 7070- 7074  
sales.tr@hikvision.com

**Hikvision Malaysia**  
T +601-7652-2413  
sales.my@hikvision.com

**Hikvision UK & Ireland**  
T +01628-902140  
sales.uk@hikvision.com

**Hikvision South Africa**  
Tel: +27 (11) 0351172  
sale.africa@hikvision.com

**Hikvision France**  
T +33(0)1-85-330-450  
info.fr@hikvision.com

**Hikvision Kazakhstan**  
T +7-727-9730667  
nikia.panfilov@hikvision.ru

**Hikvision Vietnam**  
T +84-974270888  
sales.vt@hikvision.com

**Hikvision UAE**  
T +971-4-4432090  
salesme@hikvision.com

**Hikvision Singapore**  
T +65-6684-4718  
sg@hikvision.com

**Hikvision Spain**  
T +34-91-737-18-55  
info.es@hikvision.com

**Hikvision Tashkent**  
T +99-97-1238-9438  
uzb@hikvision.ru

**Hikvision Hong Kong**  
T +852-2151-1761  
info.hk@hikvision.com

**Hikvision Russia**  
T +7-495-669-87-99  
saleru@hikvision.com

**Hikvision Korea**  
T +82-(0)31-731-8817  
sales.korea@hikvision.com

**Hikvision Poland**  
T +48-22-460-01-50  
info.pl@hikvision.com

**Hikvision Indonesia**  
T +62-21-2933759  
Sales.indonesia@hikvision.com

**Hikvision Colombia**  
sales.colombia@hikvision.com